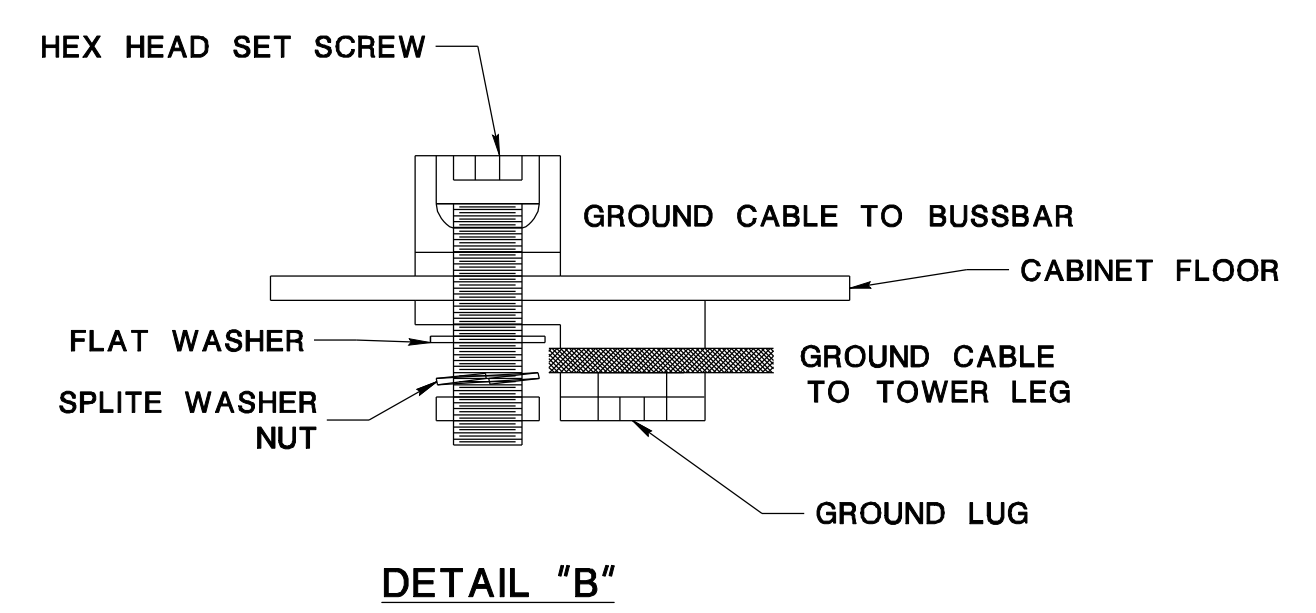
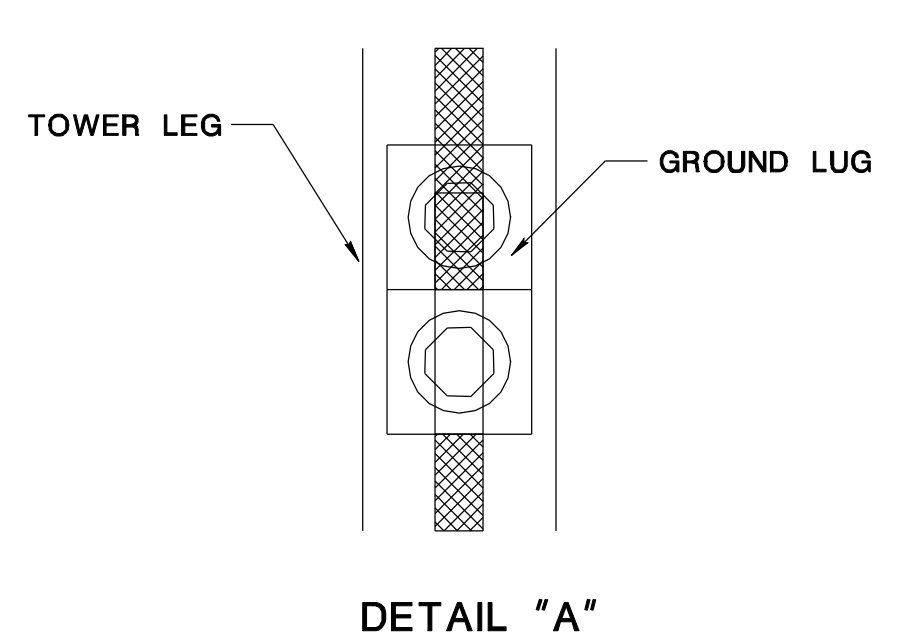


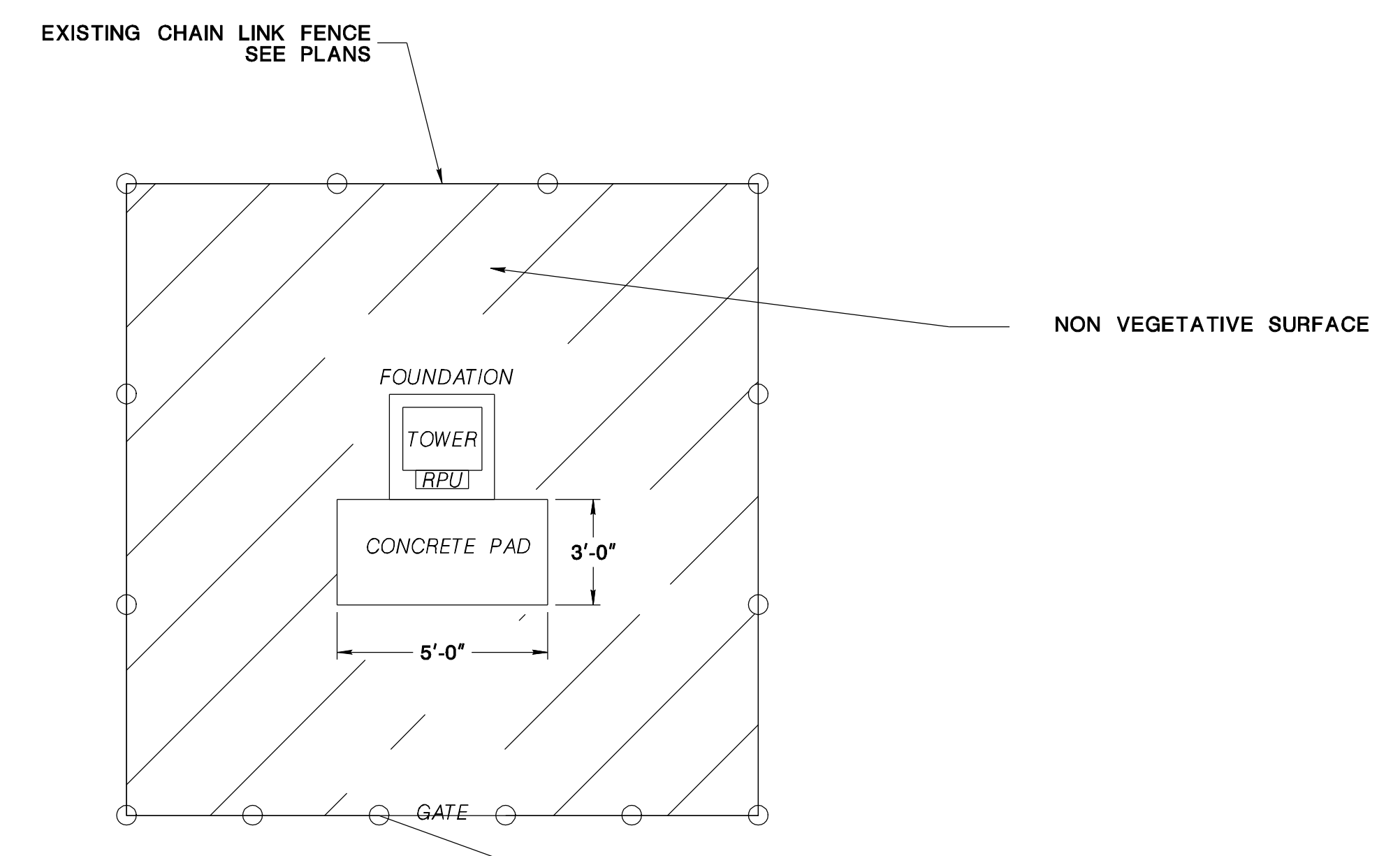
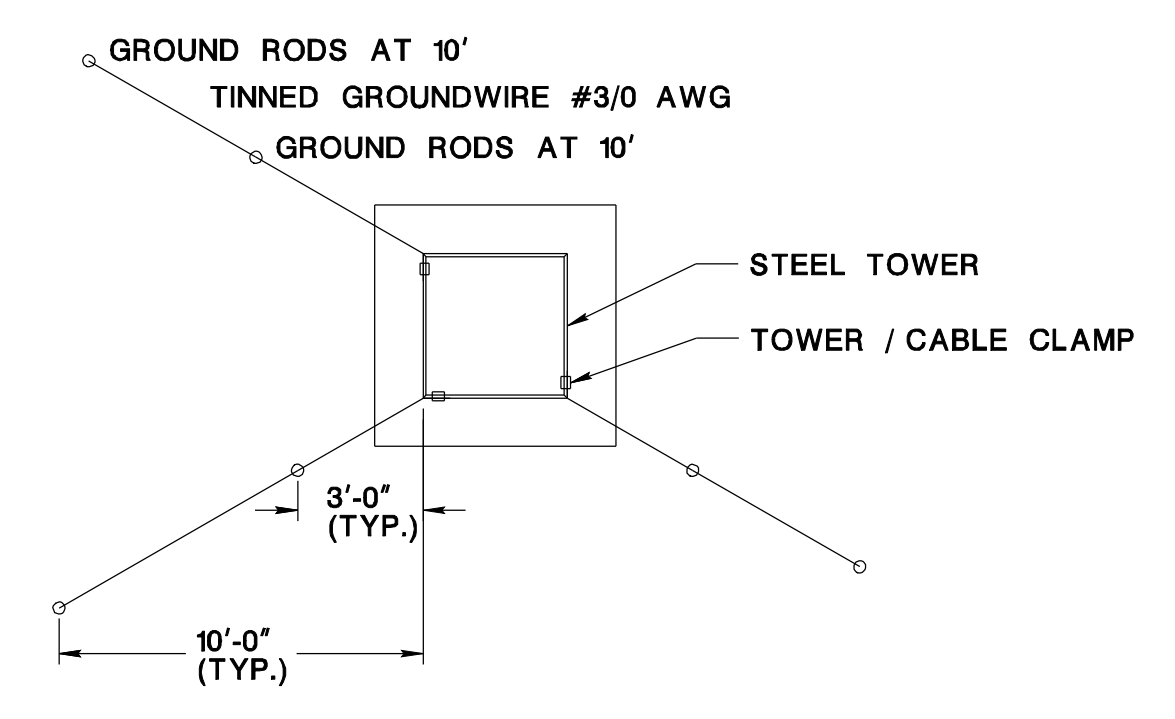
(FOR CONTROLLER TOWER DETAIL SEE ITS-704-19)



**WEATHER STATION**

**NOTE:**

INSTALL COPPER MESH OR STEEL WOOL IN ALL CONDUITS WITHIN THE RPU ENCLOSURE TO PREVENT RODENT INTRUSION.



NOT TO SCALE

ITS-704-32

NEW JERSEY DEPARTMENT OF TRANSPORTATION

**ITS DETAILS**

ROADWAY WEATHER INFORMATION SYSTEM, WEATHER STATION

SHEET 1 OF 2

