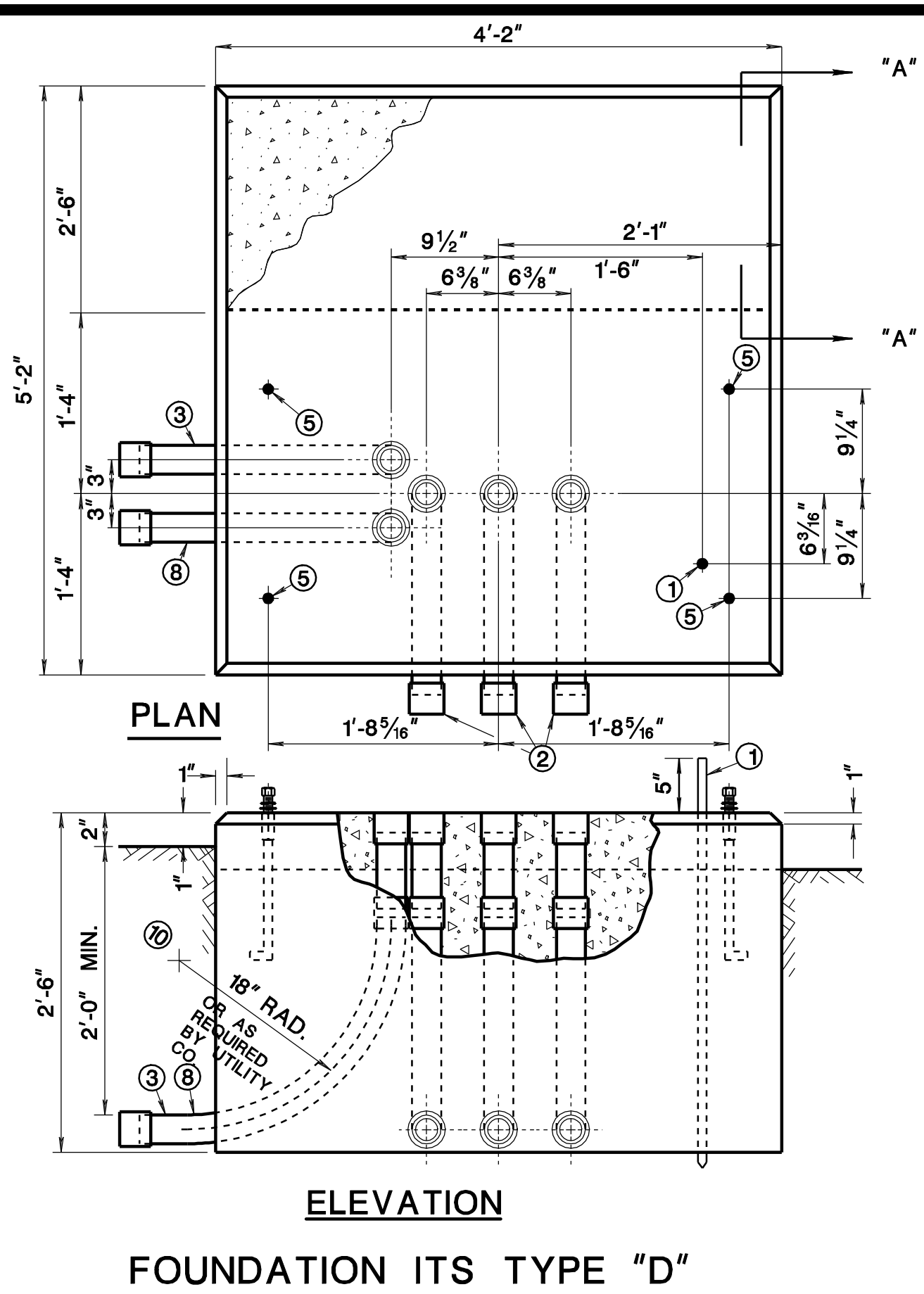


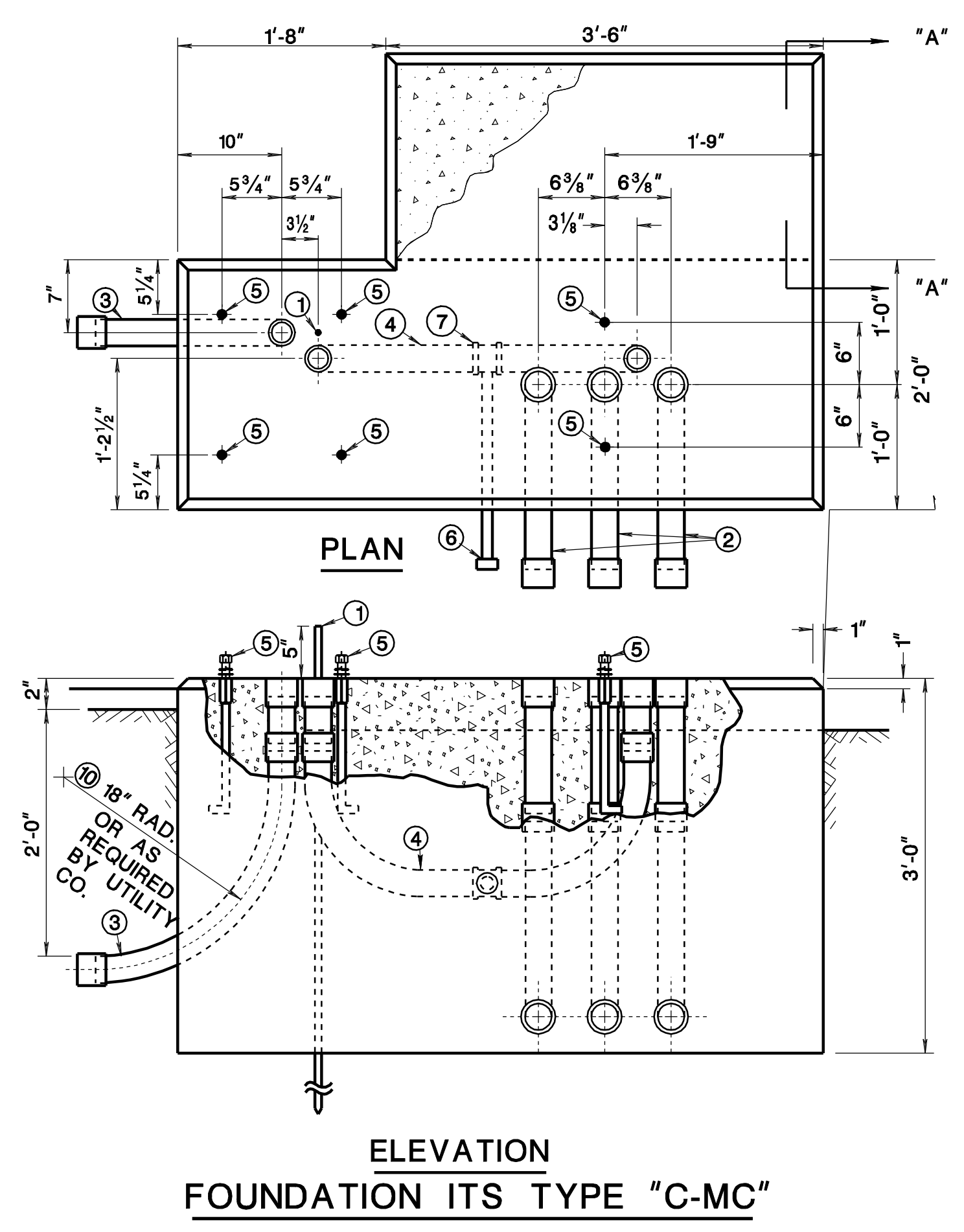
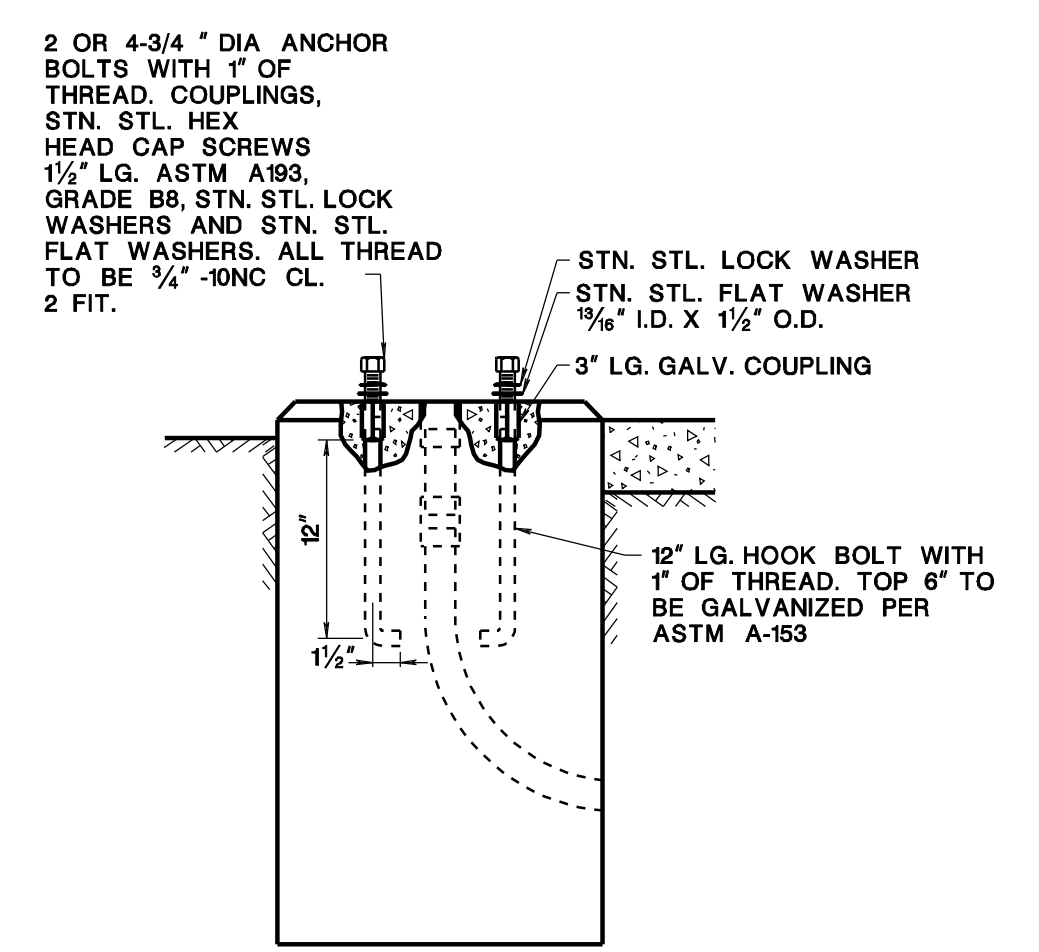
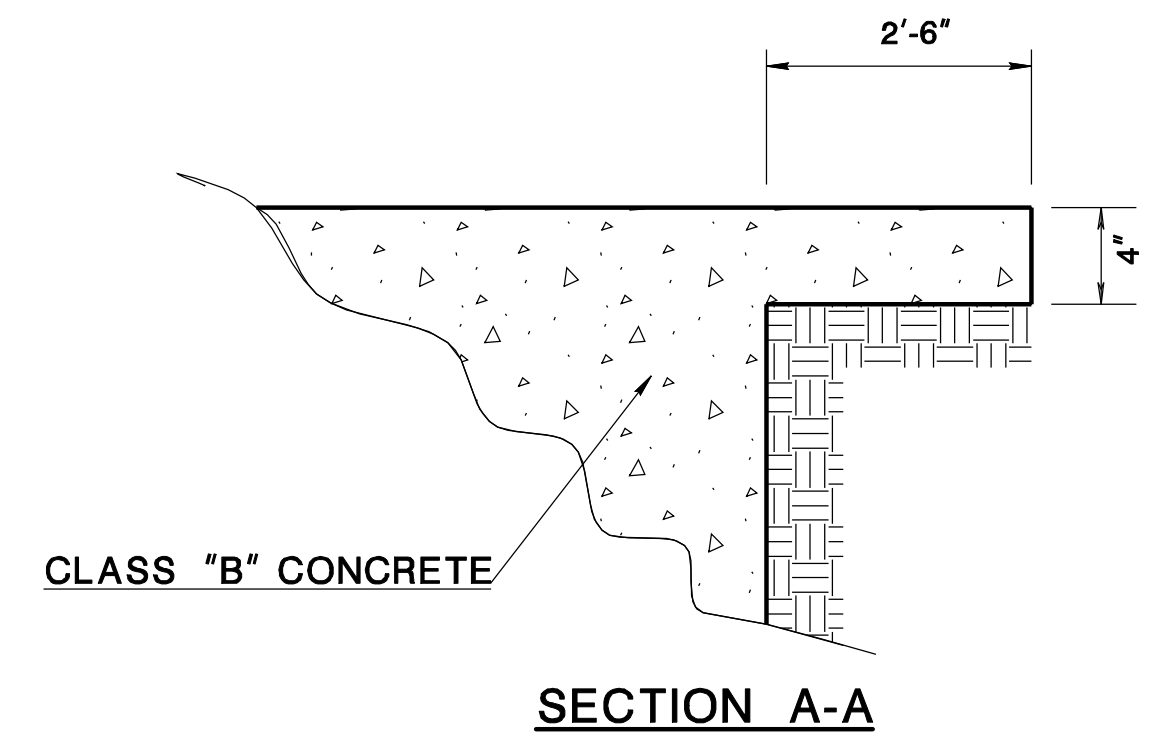
DIRECTION OF TRAFFIC



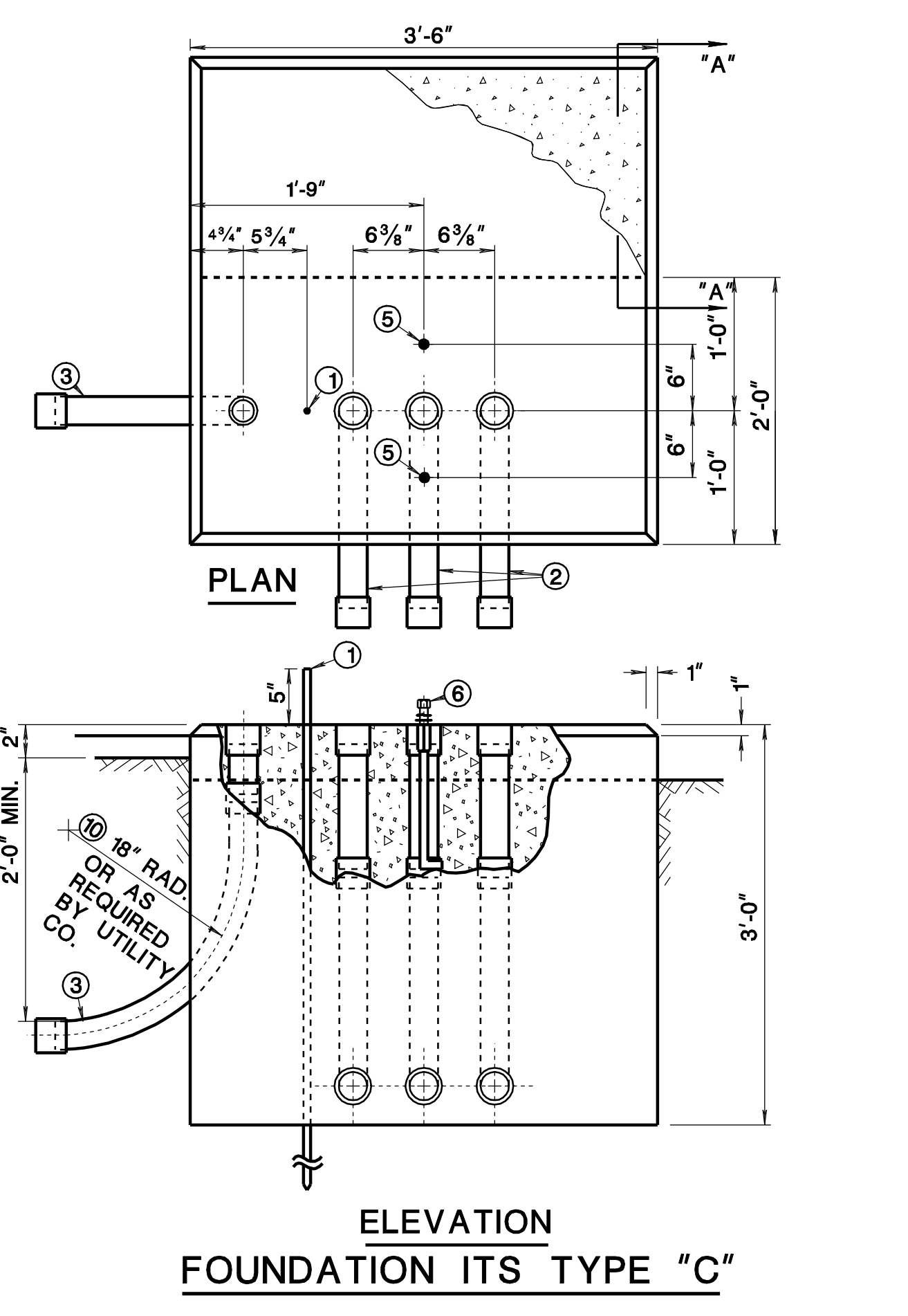
DIRECTION OF TRAFFIC

- ITEM DESCRIPTION**
- ① 5/8" DIA. X 12 FT. LONG GROUND ROD.
 - ② 3" DIA. RMC TERMINATED INTO JUNCTION BOX.
 - ③ RMC (SERVICE CONDUIT). SEE GENERAL CONSTRUCTION PLANS FOR DIRECTION AND SIZE. IF NOT SPECIFIED, INSTALL 2" DIA. RMC.
 - ④ 2" DIA. RIGID METALLIC CONDUIT. (SERVICE CONDUIT)
 - ⑤ ANCHOR BOLT (TYP. SEE "ANCHOR BOLT DETAIL").
 - ⑥ DRAIN - 1" DIA. RIGID METALLIC CONDUIT. (PITCH DOWN TO JUNCTION BOX.)
 - ⑦ 2" X 2" X 1" GALVANIZED TEE FITTING FOR DRAIN.
 - ⑧ RMC (INTERCONNECT CONDUIT). SEE GENERAL PLAN FOR DIRECTION AND SIZE. IF NOT SPECIFIED INSTALL 2" DIA. RMC.
 - ⑨ 2" DIA RMC (INTERCONNECT CONDUIT)
 - ⑩ RADIUS - SUBJECT TO APPROVAL OF UTILITY COMPANY.

- NOTES:**
- 1. ALL CONDUITS WITH COUPLINGS ARE TO BE EMBEDDED, PLUMB AND FLUSH WITH TOP OF CONCRETE FOUNDATION.
 - 2. INSERT J-BOLT 1/2" +/- 1/16" INTO 3" COUPLING
 - 3. POUR MONOLITHIC FOUNDATIONS.
 - 4. ALL CONCRETE TO BE CLASS "B".
 - 5. PLUG/CAP ALL CONDUIT ENDS.
 - 6. FOUNDATION AS REQUIRED BY THE UTILITY COMPANY.



DIRECTION OF TRAFFIC



DIRECTION OF TRAFFIC

ITS DETAILS

FOUNDATION ITS TYPE C, C-MC, D & D-MC

