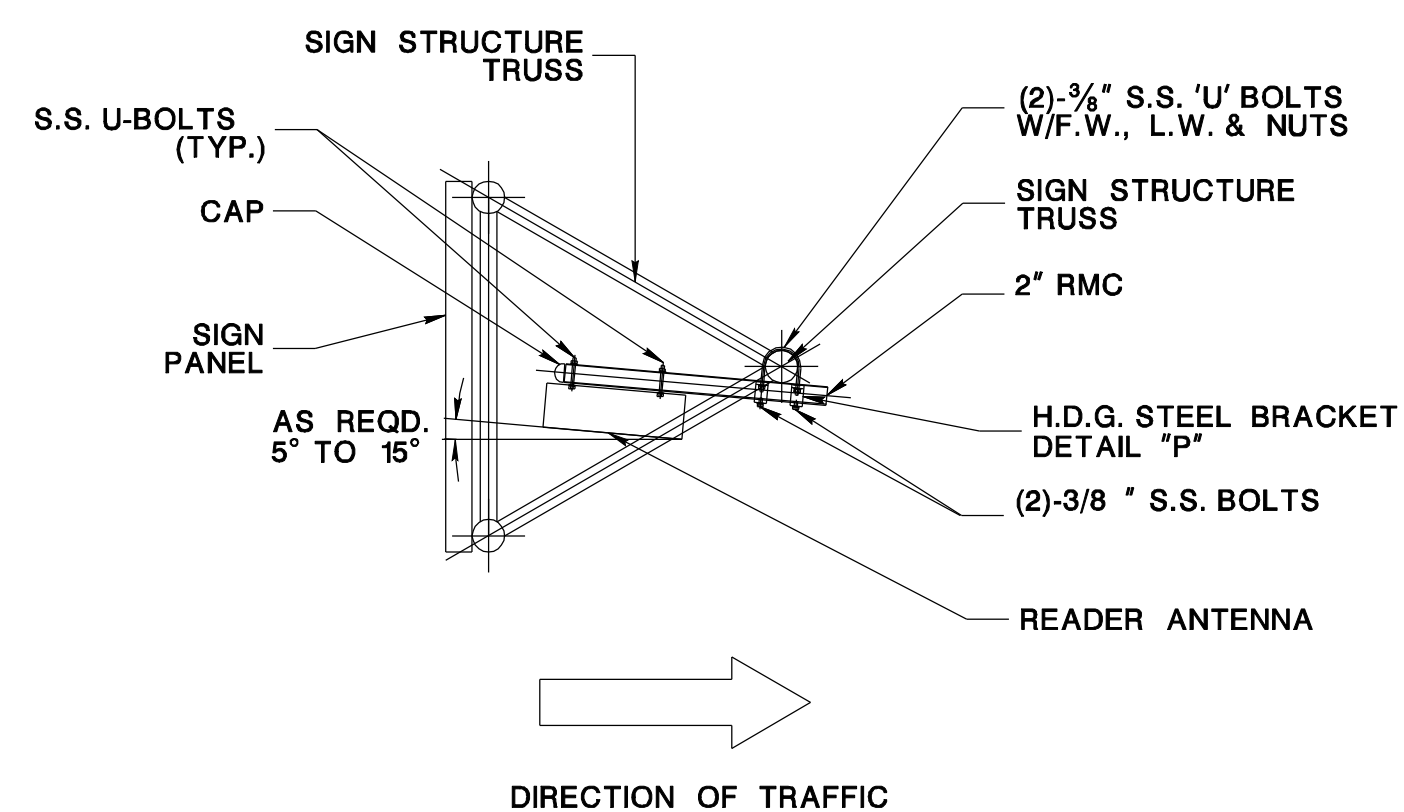
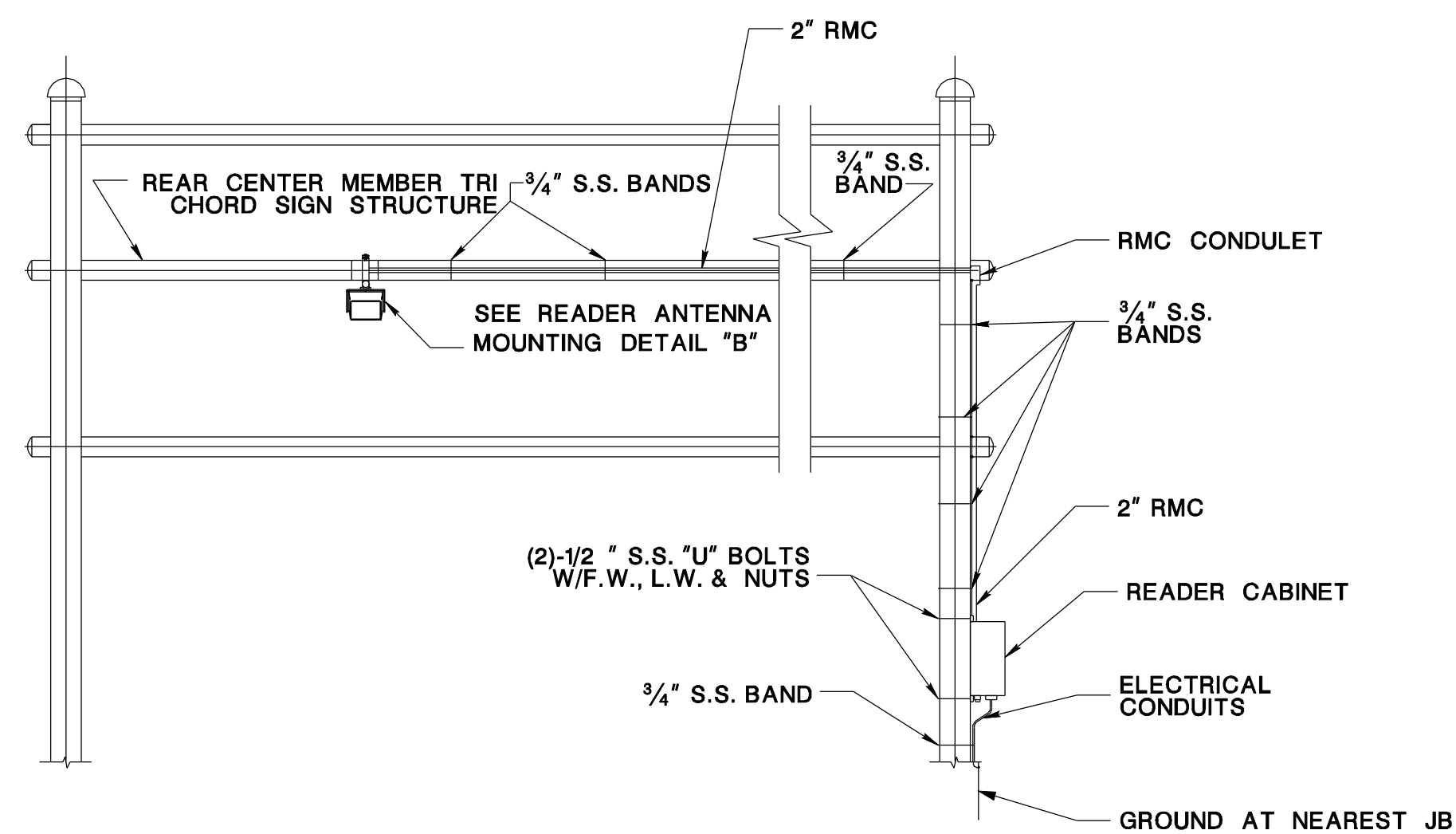


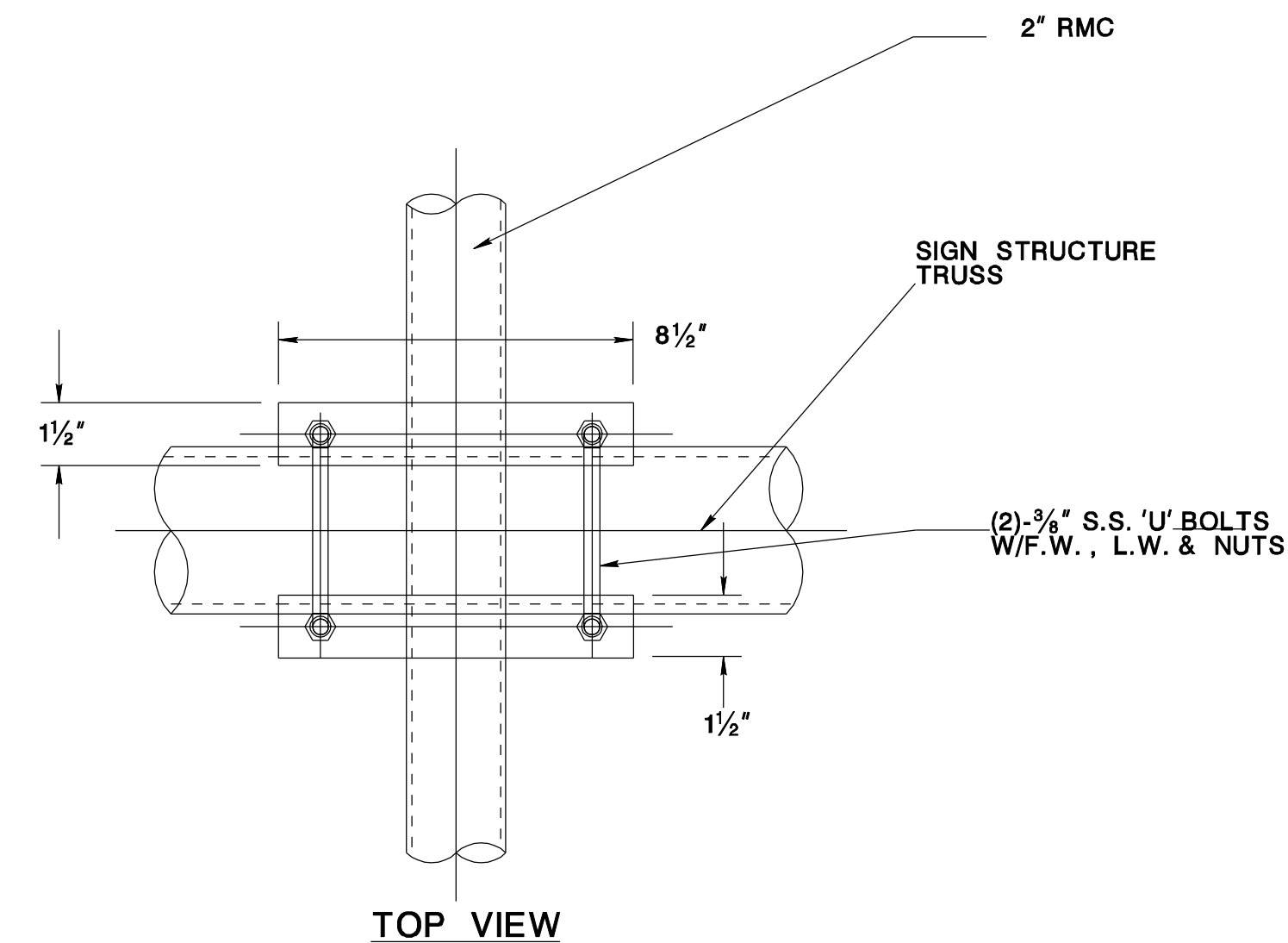
TYP. READER ANTENNA MOUNTING
DETAIL "A"



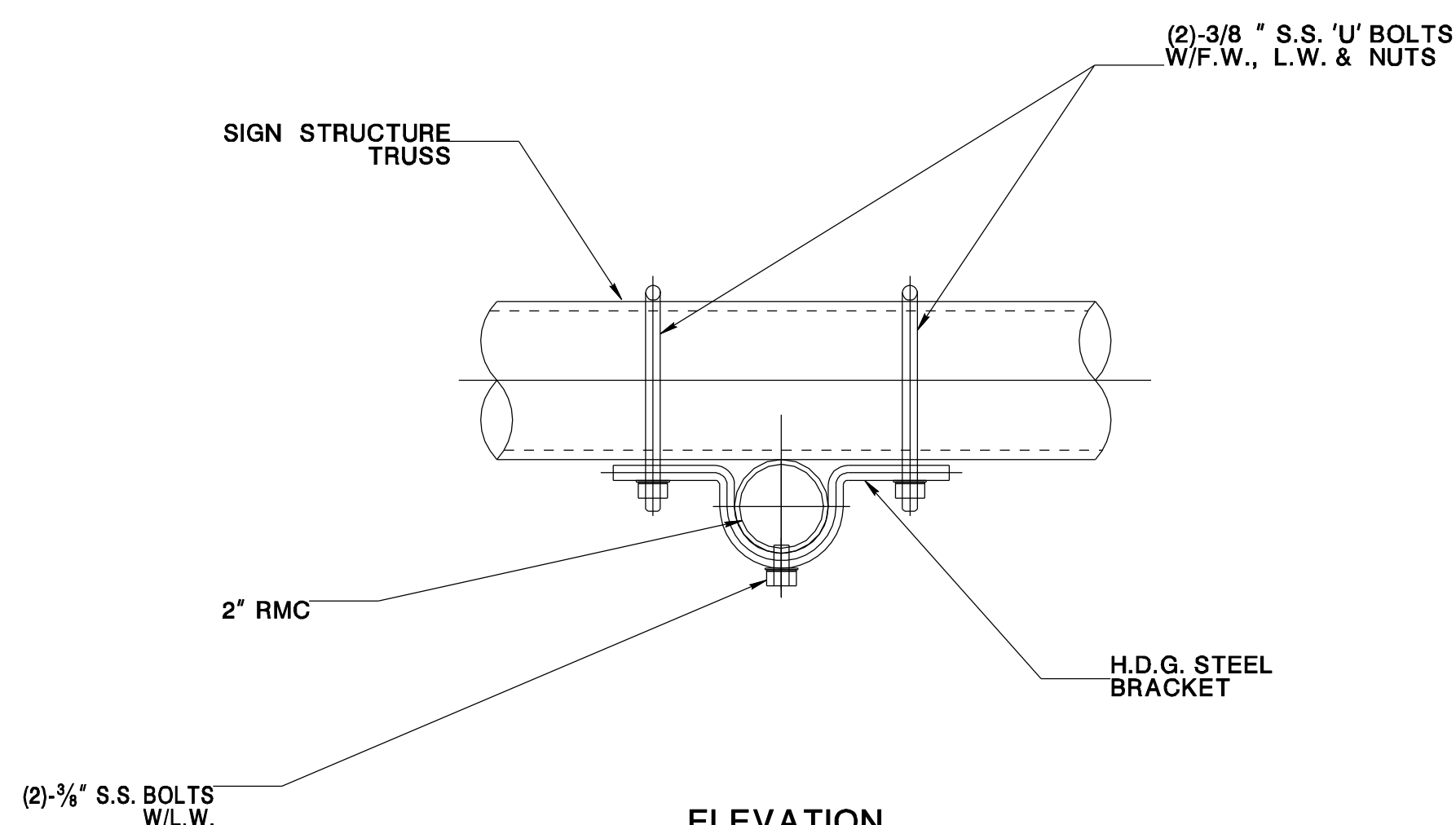
TYP. READER ANTENNA MOUNTING
DETAIL "B"



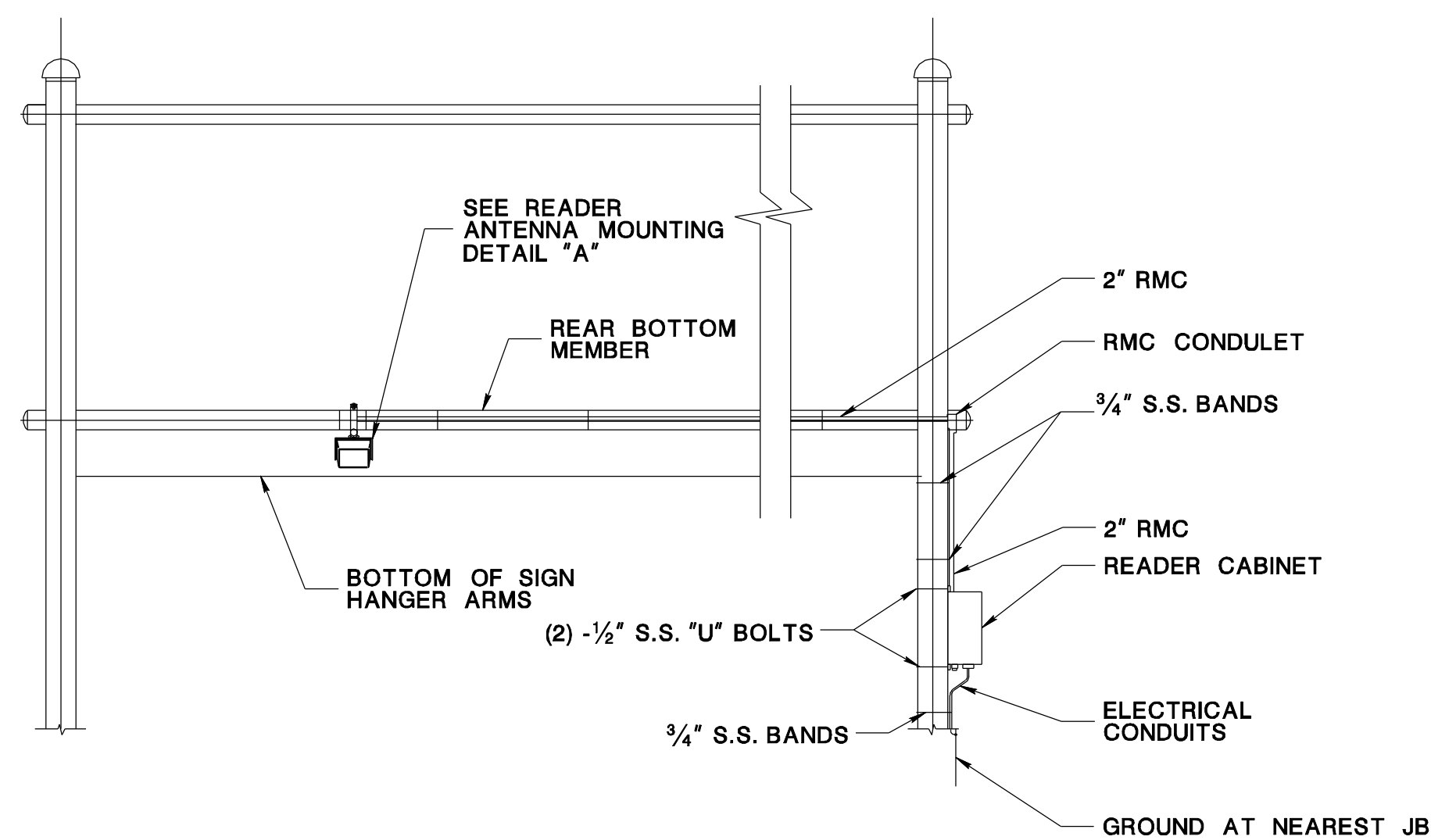
TYP. ANTENNA INSTALLATION
ON TRICHORD SIGN STRUCTURE



TOP VIEW



ELEVATION
DETAIL "C"



TYP. ANTENNA INSTALLATION ON SIGN STRUCTURE

NOTES:

- APPROXIMATE LOCATIONS OF READER ANTENNA, CONDUIT, AND JUNCTION BOX ARE SHOWN ON THE PLAN SHEETS. THE EXACT PLACEMENT IN THE FIELD TO BE VERIFIED BY THE CONTRACTOR WITH TRANSCOM.
- ENSURE ALL FASTENERS INCLUDING BOLTS, U-BOLTS, NUTS AND WASHERS ARE STAINLESS STEEL AND CONFORMS TO CURRENT ASTM SPECIFICATION A320, GRADE B8, CLASS 2 (ANSI TYPE 304) WITH NO. 4 FINISH AND STRAIN HARDENED.
- SUBMIT DETAIL PLANS FOR MOUNTING ASSEMBLIES FOR REVIEW AND APPROVAL BY THE NJDOT.
- CONDUIT ROUTING ON THE STRUCTURE, AND BETWEEN STRUCTURE OR POLE AND UTILITY POLE LOCATION MAY BE MODIFIED AS REQUIRED BY THE FIELD CONDITIONS SUBJECT TO THE APPROVAL OF THE NJDOT.
- A SEPERATE GROUND IS REQUIRED FOR TTS EQUIPMENT. SEE READER CABINET DETAIL SHEET REGARDING GROUND REQUIREMENTS.
- NO WELDING OR CUTTING OF EXISTING SIGN STRUCTURE WILL BE PERMITTED.
- MAINTAIN THE MINIMUM BENDING RADIUS RECOMMENDED BY THE COAXIAL CABLE MANUFACTURER WHILE INSTALLING CONDUIT AND CABLE.
- ENSURE CONDUIT PENETRATIONS FOR THE READER CABINETS ARE EXCLUSIVELY MADE THROUGH THE BOTTOM SURFACE OF THE CABINET TO PREVENT WATER AND MOISTURE FROM PENETRATING INTO ELECTRONIC EQUIPMENT.
- WELDING IS NOT PERMITTED TO INSTALL THE TRANSMIT EQUIPMENT ON THE SIGN STRUCTURE.
- MOUNT READER ANTENNAS WITH WEEP HOLE POSITIONED TO PERMIT CONTINUOUS MOISTURE DRAINAGE.
- ONLY GALVANIZED RMC IS PERMITTED TO BE ATTACHED ON EXISTING STEEL STRUCTURES.

NOT TO SCALE

ITS-704-18

NEW JERSEY DEPARTMENT OF TRANSPORTATION

ITS DETAILS

TRAVEL TIME SYSTEM
TTS DETECTOR TYPE A

SHEET 1 OF 2

