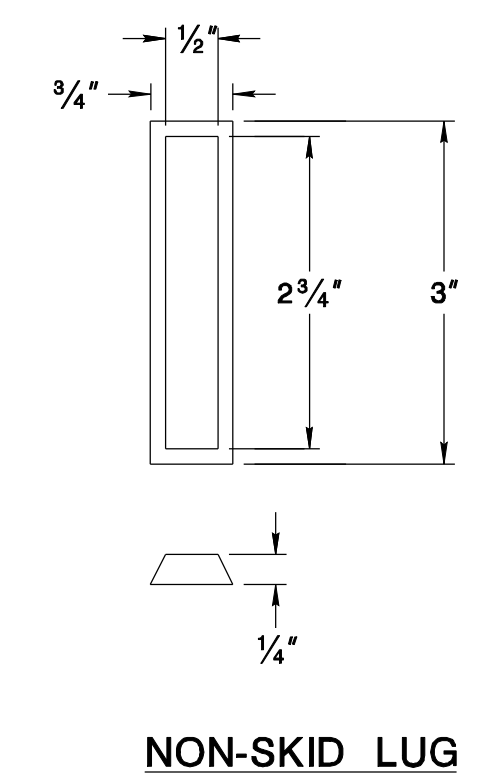
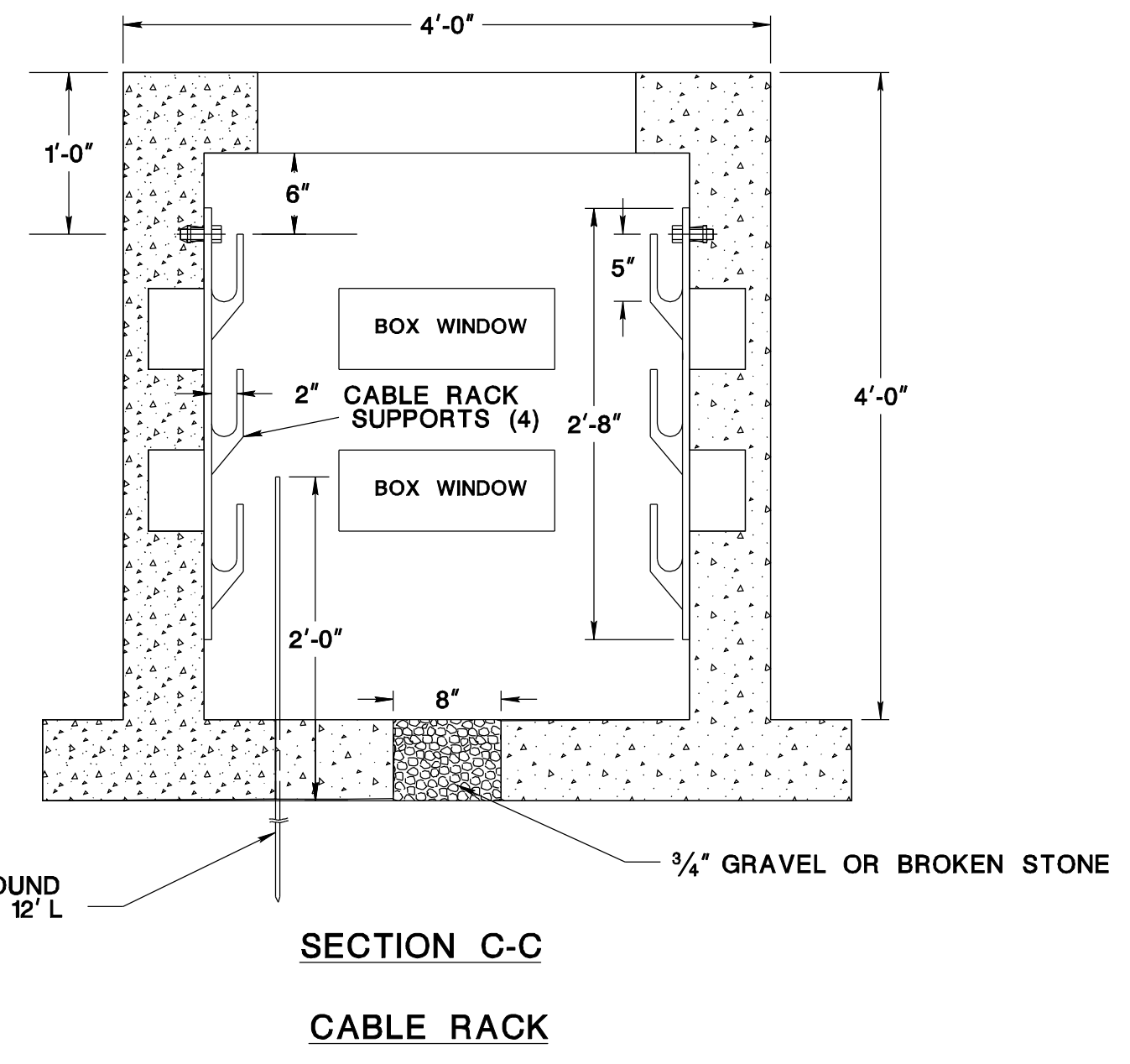
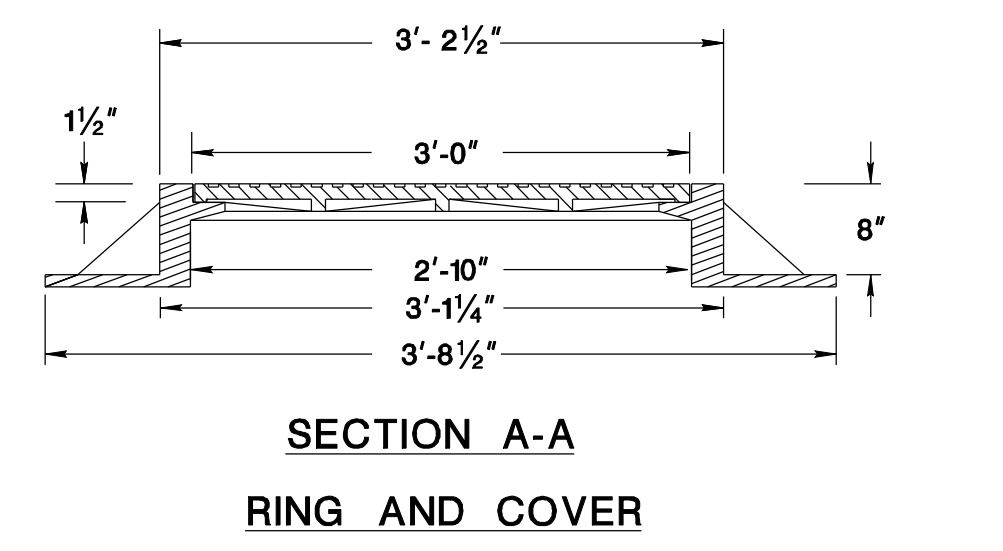
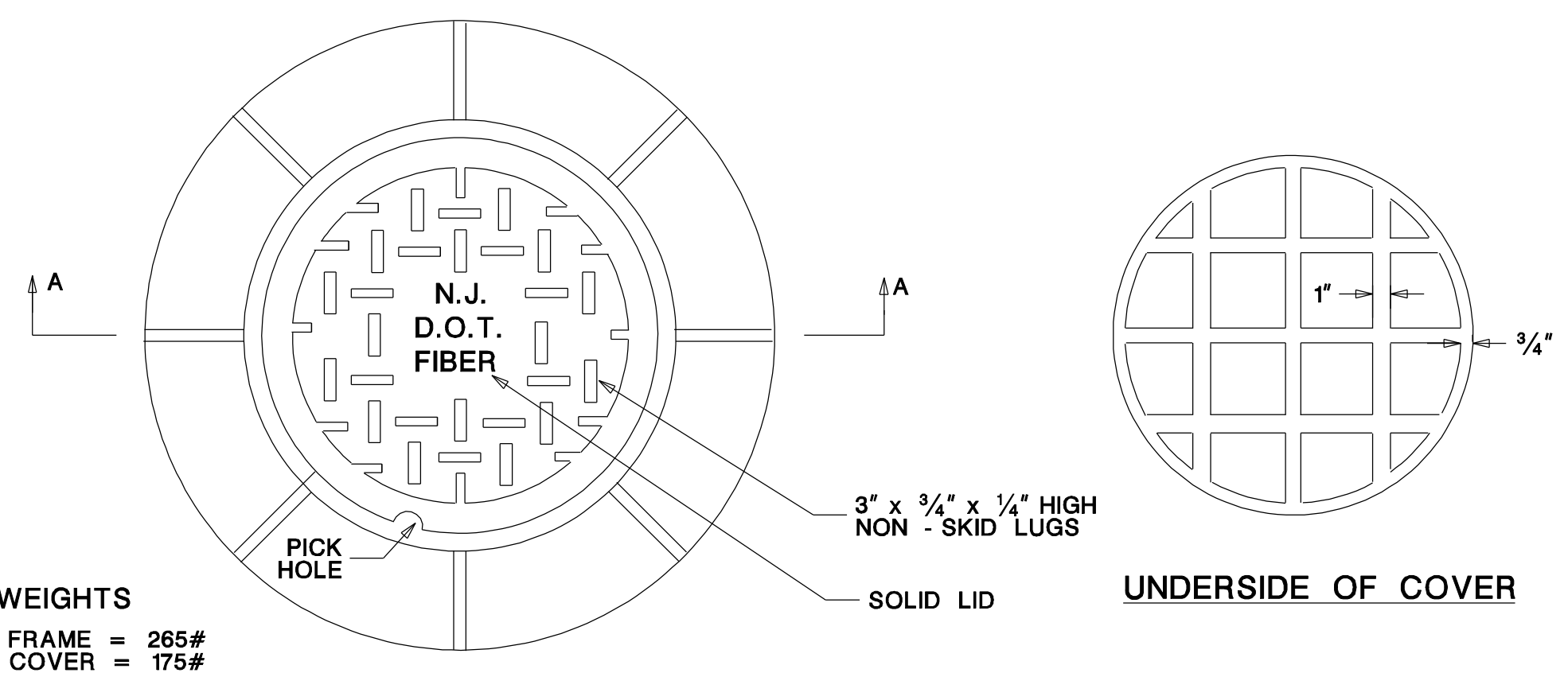


MINIMUM WEIGHTS
WEIGHT OF FRAME = 265#
WEIGHT OF COVER = 175#



- NOTES:**
- ENSURE THE ROADWAY JUNCTION BOX COMPLIES WITH AASHTO HS20-44 OR TANDEM 24 KIP AXLES AT 4 FOOT CENTERS, WHICHEVER GOVERNS, FOR LIVE LOADING.
 - PROVIDE SUFFICIENT STEEL REINFORCEMENT PER ASTM-A615 (GRADE 60) (FS) = 24,000 psi. TO MEET THE LOADING REQUIREMENTS.
 - CONCRETE DESIGN STRESSES: CLASS A
a. SPECIFIED DESIGN COMPRESSIVE STRENGTH (F'c).....4,000psi
b. CLASS DESIGN STRENGTH4,600psi (IN ACCORDANCE WITH SECTION 914 OF THE SPECIFICATIONS)
 - COVER THE STEEL REINFORCEMENT WITH A MINIMUM OF 1" OF CONCRETE.
 - AFTER THE INSTALLATION OF CONDUIT, COMPLETELY SEAL ALL OPEN RECESSES WITH BRICK AND GROUT.
 - ENSURE THE RING AND COVER ARE MADE OF GRAY IRON, AND COMPLY WITH AASHTO M105, ASTM A-48, CLASS 30B, WITH A MIN. TENSILE STRENGTH OF 30,000 psi.
 - SET THE TOP OF THE RING AND COVER AT ROADWAY GRADE.
 - TERMINATE RIGID NON-METALLIC CONDUITS WITH BELL END FLUSH WITH THE INSIDE WALL OF THE JUNCTION BOX.
 - TERMINATE FLEXIBLE NON METALLIC CONDUIT (FNMC) IN ACCORDANCE WITH THE CONTRACT DOCUMENTS AND MANUFACTURERS REQUIREMENTS. FNMC TO LAY ON THE GRAVEL/BROKEN STONE IN JB. CONDUIT ENDS TO EXTEND 4" PAST THE INSIDE WALL OF JB.
 - ENSURE CONDUITS ENTER INTO THE JUNCTION BOX PERPENDICULAR TO WALLS OR AS APPROVED BY THE ENGINEER. MAINTAIN A 2" SEPARATION BETWEEN ADJACENT WALLS, CONDUITS AND CABLE RACKS.
 - PROVIDE 4 CABLE RACKS AS INDICATED.
 - PROVIDE CERTIFICATION BY A PROFESSIONAL ENGINEER FOR DESIGN CALCULATIONS SHOWING THE JUNCTION BOX MEETS ALL LOADING REQUIREMENTS.
 - PROVIDE 8" THK. LAYER OF COMPACTED 3/4" GRAVEL OR BROKEN STONE.
 - PERMANENTLY MOLD IDENTIFICATION OF THE COVER ON THE TOP SURFACE WITH "NJDOT FIBER".
 - PROVIDE AND INSTALL GROUND ROD AS PER NEC REQUIREMENTS.

NOT TO SCALE

JUNCTION BOX ITS, TYPE B

THIS JUNCTION BOX IS FOR INSTALLATION IN THE TRAVELWAY AND SHOULDER.

ITS-704-08
NEW JERSEY DEPARTMENT OF TRANSPORTATION
ITS DETAILS
JUNCTION BOX ITS TYPE B

