

TABLE OF CONTENTS – SHEET 1

SHEET #	DESCRIPTION	SHEET #	DESCRIPTION	SHEET #	DESCRIPTION
1	COVER SHEET	41	CD-602-4 INLETS, TYPE E, E1, E2, & ES	74	CD-609-13 BEAM GUIDE RAIL ATTACHMENTS
2	TABLE OF CONTENTS - SHEET 1	42	CD-602-5 INLETS, TYPE D1 & D2	75	CD-609-14 BEAM GUIDE RAIL ATTACHMENTS
3	TABLE OF CONTENTS - SHEET 2	42A	CD-602-5A REPLACE INLET CURB PIECE TYPE B OR D IN EXISTING CONCRETE BARRIER CURB	76	CD-609-15 BEAM GUIDE RAIL ATTACHMENTS
				76A	CD-609-15A BEAM GUIDE RAIL ATTACHMENTS
	ROADWAY CONSTRUCTION DETAILS	42B	CD-602-5B REPLACE INLET CURB PIECE TYPE B OR D IN EXISTING CONCRETE BARRIER CURB IN NEW CONCRETE SECTION	76B	CD-609-15B BEAM GUIDE RAIL ATTACHMENTS
4	INDEX 1 FOR STANDARD ROADWAY CONSTRUCTION DETAILS			77	CD-609-16 BEAM GUIDE RAIL ATTACHMENTS
5	INDEX 2 FOR STANDARD ROADWAY CONSTRUCTION DETAILS	43	CD-602-6 EXTENSION FRAMES FOR EXISTING INLETS	77A	CD-609-16A BEAM GUIDE RAIL ATTACHMENTS
6	INDEX 3 FOR STANDARD ROADWAY CONSTRUCTION DETAILS	44	CD-602-7 EXTENSION RING FOR EXISTING MANHOLE	78	CD-609-17 BEAM GUIDE RAIL ATTACHMENTS
7	INDEX 4 FOR STANDARD ROADWAY CONSTRUCTION DETAILS	45	CD-602-8 MANHOLE	78A	CD-609-17A BEAM GUIDE RAIL ATTACHMENTS
8	CD-157-1 MONUMENT AND MONUMENT BOX	46	CD-602-9 PRECAST MANHOLE	78B	CD-609-17B BEAM GUIDE RAIL ATTACHMENTS
9	CD-158-1 SOIL EROSION AND SEDIMENT CONTROL MEASURES	47	CD-602-10 CONCRETE HEADWALL AND APRON	78C	CD-609-17C BEAM GUIDE RAIL ATTACHMENTS
10	CD-158-2 SOIL EROSION AND SEDIMENT CONTROL MEASURES	48	CD-602-11 CONCRETE CULVERT	78D	CD-609-17D BEAM GUIDE RAIL ATTACHMENTS
11	CD-158-3 SOIL EROSION AND SEDIMENT CONTROL MEASURES	49	CD-603-1 SLOPE, OUTFALL, AND CHANNEL PROTECTION	78E	CD-609-17E BEAM GUIDE RAIL ATTACHMENTS
12	CD-158-4 SOIL EROSION AND SEDIMENT CONTROL MEASURES	50	CD-605-1 CHAIN-LINK FENCE	79	CD-609-18 MODIFIED THRIE BEAM GUIDE RAIL (MASH TL-3)
13	CD-159-1 TRAFFIC CONTROL DEVICES	51	CD-605-2 CHAIN-LINK FENCE	80	CD-609-19 MODIFIED THRIE BEAM GUIDE RAIL, DUAL FACED (MASH TL-3)
14	CD-159-2 TRAFFIC CONTROL DEVICES	52	CD-606-1 CONCRETE SIDEWALK (PUBLIC SIDEWALK CURB RAMP)	80A	CD-609-20 MODIFIED THRIE BEAM GUIDE RAIL TRANSITION AND ELEMENT SECTIONS
15	CD-159-3 CONSTRUCTION BARRIER CURB (MASH TL-3)	53	CD-606-2 DETECTABLE WARNING SURFACE		
16	CD-159-4 CONSTRUCTION BARRIER CURB (ALTERNATE A) (MASH TL-3)	54	CD-606-3 CONCRETE SIDEWALK (PUBLIC SIDEWALK CURB RAMP TABLES)	81	CD-610-1 RAISED PAVEMENT MARKER (RPM), LOCATION
17	CD-159-5 CONSTRUCTION BARRIER CURB (ALTERNATE B) (MASH TL-3)	55	CD-606-4 CONCRETE SIDEWALK (PUBLIC SIDEWALK CURB RAMP TABLES)	82	CD-610-2 RAISED PAVEMENT MARKER (RPM), LOCATION
18	CD-159-6 CONSTRUCTION SIGNS	56	CD-606-5 CONCRETE AND HMA, DRIVEWAY AND SIDEWALK	83	CD-610-3 RAISED PAVEMENT MARKER (RPM), LOCATION
19	CD-159-7 CONSTRUCTION SIGNS	57	CD-606-6 CONCRETE AND HMA ISLAND	84	CD-610-4 GROUND MOUNTED FLEXIBLE DELINEATORS
20	CD-159-8 INTERSTATE CONSTRUCTION IDENTIFICATION SIGN	58	CD-607-1 CONCRETE AND GRANITE CURB	85	CD-610-5 RUMBLE STRIPS
21	CD-159-9 CONSTRUCTION IDENTIFICATION SIGNS	59	CD-607-2 CURB TRANSITIONS	86	CD-610-6 CENTERLINE RUMBLE STRIP
22	CD-159-10 TEMPORARY CRASH CUSHION, COMPRESSIVE BARRIER SUMMARY TABLE	60	CD-607-3 BARRIER CURB	87	CD-610-7 CENTERLINE RUMBLE STRIP
23	CD-202-1 SOIL REUSE	60A	CD-607-4 BARRIER CURB	87A	CD-610-8 TRAFFIC STRIPES AND MARKINGS
24	CD-203-1 I-9 SOIL AGGREGATE AND EMBANKMENT	60B	CD-607-5 BARRIER CURB	87B	CD-610-9 TRAFFIC STRIPES AND MARKINGS
25	CD-401-1 MILLING	60C	CD-607-6 BARRIER CURB	87C	CD-610-10 TRAFFIC STRIPES AND MARKINGS
26	CD-401-2 LONGITUDINAL JOINTS IN HMA	61	CD-608-1 NONVEGETATIVE SURFACE	87D	CD-610-11 TRAFFIC STRIPES AND MARKINGS
27	CD-405-1 CONCRETE PAVEMENT TRANSVERSE JOINTS	62	CD-609-1 BEAM GUIDE RAIL	87E	CD-610-12 TRAFFIC MARKING SYMBOLS
28	CD-405-2 CONCRETE PAVEMENT LONGITUDINAL JOINTS	63	CD-609-2 BEAM GUIDE RAIL, DUAL FACED (MASH TL-3)	87F	CD-610-13 TRAFFIC MARKING SYMBOLS
29	CD-405-3 CONCRETE PAVEMENT JOINTS NON-SKEWED LOAD TRANSFER ASSEMBLIES	64	CD-609-3 RUB RAIL	87G	CD-610-14 TRAFFIC MARKING ROUTE SYMBOLS
		65	CD-609-4 BEAM GUIDE RAIL ANCHORAGE (MASH TL-3)	87H	CD-610-15 TRANSVERSE RUMBLE MARKINGS
30	CD-451-1 SLAB STABILIZATION	66	CD-609-5 TANGENT GUIDE RAIL TERMINAL (MASH TL-3)	88	CD-611-1 CRASH CUSHION COMPRESSIVE BARRIER SUMMARY TABLE
31	CD-452-1 PARTIAL DEPTH CONCRETE PAVEMENT REPAIR	67	CD-609-6 CONTROLLED RELEASE TERMINAL	89	CD-612-1 SIGNS
32	CD-453-1 FULL DEPTH CONCRETE PAVEMENT REPAIR	68	CD-609-7 MEDIAN GUIDE RAIL TREATMENTS	90	CD-612-2 SIGNS
33	CD-453-2 FULL DEPTH CONCRETE PAVEMENT REPAIR	68A	CD-609-7A MEDIAN GUIDE RAIL TREATMENTS	91	CD-612-3 SIGNS
34	CD-454-1 RETROFIT DOWEL BARS	68B	CD-609-7B MEDIAN GUIDE RAIL TREATMENTS	92	CD-612-4 STEEL U-POST SIGN SUPPORTS
35	CD-601-1 UNDERDRAINS	69	CD-609-8 BEAM GUIDE RAIL TREATMENTS	92A	CD-612-4A STEEL SQUARE POST SIGN SUPPORTS
36	CD-601-2 PIPE END SECTIONS	69A	CD-609-8A BEAM GUIDE RAIL TREATMENTS (MASH TL-3)	93	CD-612-5 STEEL U-POST SIGN SUPPORTS
37	CD-601-3 CROSS DRAIN OR UTILITY TRENCH CONSTRUCTION	70	CD-609-9 BURIED GUIDE RAIL TERMINAL	94	CD-612-6 STEEL U-POST SIGN SUPPORTS
38	CD-602-1 INLET GENERAL DETAILS	71	CD-609-10 GRADING AND ROADSIDE RECOVERY AREA AT TANGENT GUIDE RAIL TERMINALS	95	CD-612-7 BREAKAWAY SIGN SUPPORTS FOR GROUND MOUNTED SIGNS
39	CD-602-2 INLETS, TYPE A, B, & C			96	CD-612-8 BREAKAWAY SIGN SUPPORTS FOR GROUND MOUNTED SIGNS
39A	CD-602-2A DRIVEWAY ACCESS PLATE FOR INLET TYPE B AND TYPE C CASTING	72	CD-609-11 BEAM GUIDE RAIL ATTACHMENTS	97	CD-612-9 BREAKAWAY SIGN SUPPORTS FOR GROUND MOUNTED SIGNS
40	CD-602-3 INLETS, TYPE B1, B2, & B, B1, & B2 MODIFIED	73	CD-609-12 BEAM GUIDE RAIL ATTACHMENTS		

ABBREVIATIONS

CD = ROADWAY
TCD = TRAFFIC CONTROL DETAILS
BCD = BRIDGE CONSTRUCTION DETAILS

TABLE OF CONTENTS – SHEET 2

SHEET #	DESCRIPTION	SHEET #	DESCRIPTION	SHEET #	DESCRIPTION
	ROADWAY CONSTRUCTION DETAILS (CONTINUATION)		TRAFFIC CONTROL DETAILS		BRIDGE CONSTRUCTION DETAILS
98	CD-612-10 BREAKAWAY SIGN SUPPORTS FOR GROUND MOUNTED SIGNS	102	INDEX FOR STANDARD TRAFFIC CONTROL DETAILS	125	INDEX FOR STANDARD BRIDGE CONSTRUCTION DETAILS
99	CD-807-1 TOPSOIL STABILIZATION	103	TCD-1 LEGEND AND GENERAL NOTES	126	BCD-504-1 CONCRETE CLASSES
100	CD-811-1 PLANTING	104	TCD-2 SIGHT DISTANCE, TAPER LENGTH, ESCAPE RAMP, CONSTRUCTION BARRIER DETAIL	127	BCD-504-2 TYPICAL DETAILS
101	CD-811-2 PLANTING			128	BCD-505-1 MISCELLANEOUS BRIDGE ITEMS
		105	TCD-3 2 LANES, UNDIVIDED, LANE AND SHOULDER CLOSING 2 LANES, UNDIVIDED, SHOULDER CLOSING	129	BCD-507-1 DATE AND NUMERAL PANEL
				130	BCD-507-2 STRIP SEAL DECK JOINTS
		106	TCD-4 2 LANES, UNDIVIDED, LANE AND SHOULDER CLOSING WITH FLAGGING	131	BCD-507-3 2'-0" PARAPET, PEDESTRIAN AND TRAFFIC RAILING, AND 2'-10" PARAPET
		107	TCD-5 2 LANES, UNDIVIDED, INTERSECTION		
		108	TCD-6 2 LANES, UNDIVIDED, INTERSECTION	132	BCD-507-4 6'-6" AND 2'-8" PARAPET
		109	TCD-7 2 LANES, UNDIVIDED, INTERSECTION	133	BCD-507-5 CONCRETE BRIDGE DECKS
		110	TCD-8 4 LANES, UNDIVIDED, RIGHT LANE AND SHOULDER CLOSING 4 LANES, UNDIVIDED, SHOULDER CLOSING	134	BCD-507-6 STAY-IN-PLACE FORMS
				135	BCD-507-7 CONCRETE BRIDGE APPROACH
		111	TCD-9 4 LANES, UNDIVIDED, LEFT LANE CLOSING	136	BCD-507-8 4'-2" HIGH HEAVY TRUCK PARAPET
		112	TCD-10 4 LANES, UNDIVIDED, 2 LANES AND SHOULDER ONE DIRECTION CLOSING	137	BCD-507-9 3'-6" HIGH F-SHAPE PARAPET DETAILS
		113	TCD-11 4 LANES, UNDIVIDED, INTERSECTION	138	BCD-507-10 BRIDGE MEDIAN BARRIER
		114	TCD-12 4 LANES, UNDIVIDED, INTERSECTION	139	BCD-507-11 STEEL 4-BAR BRIDGE RAILING, TYP. SECTIONS AND ELEVATIONS
		115	TCD-13 4 LANES, UNDIVIDED, INTERSECTION	140	BCD-507-12 STEEL 4-BAR BRIDGE RAILING, MISCELLANEOUS DETAILS
		116	TCD-14 4 & 6 LANES, DIVIDED, RIGHT LANE AND SHOULDER CLOSING 4 & 6 LANES, DIVIDED, SHOULDER CLOSING	141	BCD-509-1 CHAIN-LINK FENCE, BRIDGE 6'-3" HIGH, CURVED TOP
				142	BCD-509-2 CHAIN-LINK FENCE, BRIDGE 6'-3" HIGH
		117	TCD-15 4 & 6 LANES, DIVIDED, LEFT LANE CLOSING	143	BCD-509-3 WING FOR CHAIN-LINK FENCE, STRAIGHT AND CURVED TOP
		118	TCD-16 6 LANES, DIVIDED, (LEFT & RIGHT) TWO LANES CLOSING	144	BCD-509-4 1-RAIL ALUMINUM RAILING (FOR USE IN NON-NHS BRIDGE ONLY)
		119	TCD-17 6 LANES, DIVIDED, CENTER LANE CLOSURE INITIATED BY LEFT & RIGHT LANE CLOSURE, MAINTAIN 2 THROUGH LANES	145	BCD-509-5 2-RAIL ALUMINUM RAILING (FOR USE IN NON-NHS BRIDGE ONLY)
				146	BCD-509-6 1-RAIL STEEL RAILING
		120	TCD-18 DIVIDED, EXIT RAMP CONSTRUCTION, (LEFT & RIGHT)	147	BCD-551-1 BRIDGE DECK REHABILITATION WITH CONCRETE OVERLAY
		121	TCD-19 DIVIDED, EXIT RAMP CONSTRUCTION, (LEFT & RIGHT) WITH DECELERATION LANE	148	BCD-551-2 BRIDGE DECK REHABILITATION WITHOUT CONCRETE OVERLAY
				149	BCD-551-3 BRIDGE DECK REHABILITATION DECK JOINT REPAIR (SHEET 1 OF 2)
		122	TCD-20 DIVIDED, ENTRANCE RAMP CONSTRUCTION, (LEFT & RIGHT)	150	BCD-551-4 BRIDGE DECK REHABILITATION DECK JOINT REPAIR (SHEET 2 OF 2)
		123	TCD-21 DIVIDED, ENTRANCE RAMP CONSTRUCTION, (LEFT & RIGHT) WITH ACCELERATION LANE	151	BCD-602-1 DRAINAGE BACK OF WALL
				152	BCD-603-1 CONCRETE SLOPE PROTECTION
		124	TCD-22 MULTI-LANE ROAD MOVING OPERATION	153	BCD-609-1 BARRIER PARAPET MODIFICATION FOR GUIDE RAIL
				154	BCD-609-2 BARRIER PARAPET MODIFICATION FOR GUIDE RAIL
				155	BCD-609-3 BARRIER PARAPET MODIFICATION FOR GUIDE RAIL
				156	BCD-609-4 BARRIER PARAPET MODIFICATION FOR GUIDE RAIL
				157	BCD-609-5 PARAPET AND SIDEWALK WITH ONE OR TWO RAIL RAILING
				158	BCD-609-6 PARAPET AND SIDEWALK WITH CHAIN-LINK FENCE
				159	BCD-609-7 3-RAIL RAILING WITH PYLON
				160	BCD-609-8 GUIDE RAIL ACROSS BARRIER PARAPET
				161	BCD-609-9 TRANSITION MEDIAN BARRIER
				162	BCD-653-1 STEEL GAS MAIN
				163	BCD-701-1 R.M.C AND JUNCTION BOX DETAILS
				164	BCD-703-1 HIGHWAY LIGHTING

ABBREVIATIONS

CD = ROADWAY
TCD = TRAFFIC CONTROL DETAILS
BCD = BRIDGE CONSTRUCTION DETAILS

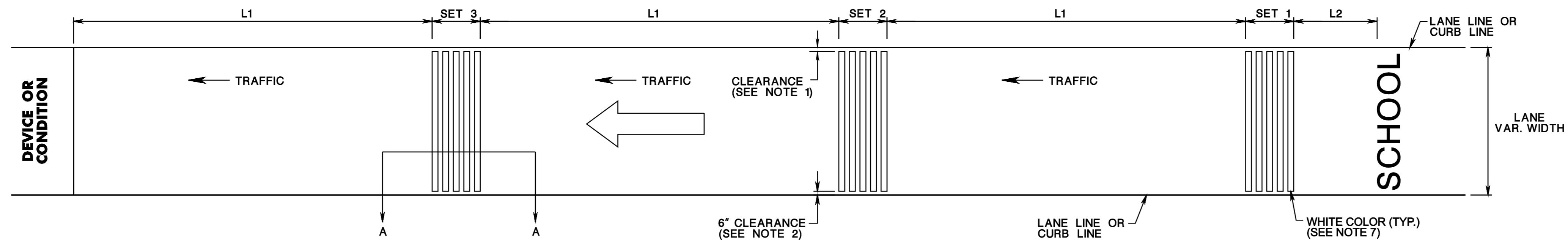
pen table= \\jtdotprive\vsystem\jtdotws\project\jtdot\table\roadway\Detail.tbl
scale= 30.027315:7.000000
date= 09-JAN-2025 08:10
ID= 000802659
BC24D-03 REVISED
BC25D-02 REVISED
BC25D-01 REVISED
BC26D-01 ORIGINAL SHEET

INDEX FOR STANDARD ROADWAY CONSTRUCTION DETAILS

INDEX SHEET 4

DESCRIPTION	CD	DESCRIPTION	CD	DESCRIPTION	CD
RUMBLE STRIPS		BREAKAWAY SIGN SUPPORTS FOR GROUND MOUNTED SIGNS	CD-612-9.1	TRAFFIC CONTROL	
RUMBLE STRIPS	CD-610-5.1	BREAKAWAY SIGN SUPPORTS FOR GROUND MOUNTED SIGNS	CD-612-10.1	TRAFFIC CONTROL DEVICES	CD-159-1
REMOVAL OF RUMBLE STRIP	CD-610-5.2			DRUMS	CD-159-1.1
CENTERLINE RUMBLE STRIP	CD-610-6			TRAFFIC CONES	CD-159-1.2
CONCRETE BRIDGE APPROACH WITH HMA OVERLAY	CD-610-6.1			BREAKAWAY BARRICADES	CD-159-1.3
CONCRETE BRIDGE APPROACH WITHOUT HMA OVERLAY	CD-610-6.2	SLOPE, OUTFALL, AND CHANNEL PROTECTION		TRAFFIC CONTROL DEVICES	CD-159-2
STAGGERED CONCRETE BRIDGE APPROACH	CD-610-6.3	SLOPE, OUTFALL, AND CHANNEL PROTECTION	CD-603-1	ILLUMINATED FLASHING ARROWS, ___' x ___'	CD-159-2.1
MIDBLOCK CROSSWALK	CD-610-6.4	RIPRAP STONE PROTECTION (CHANNEL/SLOPE/OUTFALL)	CD-603-1.1	CHANNELIZING GUIDE POSTS	CD-159-2.2
APPROACH TO MEDIAN OR DIVIDED HIGHWAY WITH A PHYSICAL ISLAND	CD-610-6.5	SLOPE PROTECTION AT LOW POINTS OF UMBRELLA SECTIONS	CD-603-1.2	STOP / SLOW PADDLE	CD-159-2.3
CENTERLINE RUMBLE STRIP	CD-610-7	CONCRETE SLOPE GUTTER, 6" THICK	CD-603-1.3	TEMPORARY SIDEWALK	CD-159-2.4
APPROACH TO RAILROAD CROSSING	CD-610-7.1			TEMPORARY PAVEMENT MARKERS	CD-159-2.5
APPROACH TO LEFT TURN SLOT	CD-610-7.2			TEMPORARY TRAFFIC STRIPES AND MARKINGS	CD-159-2.6
		SOIL EROSION AND SEDIMENT CONTROL		CONSTRUCTION BARRIER CURB (MASH TL-3)	CD-159-3.1
		SOIL EROSION AND SEDIMENT CONTROL MEASURES	CD-158-1	ANCHORAGE FOR CONSTRUCTION BARRIER CURB WITH ATTACHMENT TYPE D	CD-159-3.2
SIDEWALK		SILT FENCE	CD-158-1.1	GENERAL NOTES	CD-159-3.3
CONCRETE SIDEWALK (PUBLIC SIDEWALK CURB RAMP)	CD-606-1	ATTACHING TWO SILT FENCES	CD-158-1.2	CONSTRUCTION BARRIER CURB (ALTERNATE A) (MASH TL-3)	CD-159-4.1
CURB RAMPS	CD-606-1.1	HEAVY DUTY SILT FENCE	CD-158-1.3	CONSTRUCTION BARRIER CURB (ALTERNATE B) (MASH TL-3)	CD-159-5.1
DETECTABLE WARNING SURFACE	CD-606-2.1	SILT FENCE FASTENER REQUIREMENTS	CD-158-1.4	TEMPORARY CRASH CUSHION, COMPRESSIVE BARRIER SUMMARY TABLE	CD-159-10.1
CONCRETE SIDEWALK (PUBLIC SIDEWALK CURB RAMP TABLES)	CD-606-3.1	SILT FENCE ON A STEEP OR LONG GRADE	CD-158-1.5		
CONCRETE SIDEWALK (PUBLIC SIDEWALK CURB RAMP TABLES)	CD-606-4.1	HAYBALES	CD-158-1.6		
CONCRETE AND HMA, DRIVEWAY AND SIDEWALK	CD-606-5	EMBEDDING DETAIL	CD-158-1.7		
CONCRETE SIDEWALK, 4" THICK	CD-606-5.9	STABILIZED CONSTRUCTION DRIVEWAY	CD-158-1.8	TRAFFIC SYMBOLS	
HMA SIDEWALK, 5½" THICK	CD-606-5.10	SOIL EROSION AND SEDIMENT CONTROL MEASURES	CD-158-2	TRAFFIC STRIPES AND MARKINGS	CD-610-8
		HAYBALE CHECK DAM WITH TEMPORARY STONE OUTLET	CD-158-2.1	TRAFFIC STRIPES AND MARKINGS	CD-610-9
		STONE CHECK DAM	CD-158-2.2	TRAFFIC STRIPES AND MARKINGS	CD-610-10
SIGNS		SLOPE DRAIN	CD-158-2.3	TRAFFIC STRIPES AND MARKINGS	CD-610-11
SIGNS	CD-612-1.1	INLET FILTERS, TYPE 1	CD-158-2.4	TRAFFIC MARKING SYMBOLS	CD-610-12
SIGNS	CD-612-2.1	INLET FILTERS, TYPE 2	CD-158-2.5	TRAFFIC MARKING SYMBOLS	CD-610-13
SIGNS	CD-612-3.1	SOIL EROSION AND SEDIMENT CONTROL MEASURES	CD-158-3	TRAFFIC MARKING ROUTE SYMBOLS	CD-610-14
		INLET SEDIMENT TRAP	CD-158-3.1	TRANSVERSE RUMBLE MARKINGS	CD-610-15
		FLOATING TURBIDITY BARRIER	CD-158-3.2		
SIGN SUPPORTS		STONE OUTLET SEDIMENT TRAPS, ___'x___'	CD-158-3.3		
STEEL U-POST SIGN SUPPORTS	CD-612-4.1	SEDIMENT CONTROL TANK OR BAG	CD-158-3.4	UNDERDRAINS	
STEEL SQUARE POST SIGN SUPPORTS	CD-612-4A.1	SOIL EROSION AND SEDIMENT CONTROL MEASURES	CD-158-4	UNDERDRAIN TYPE F	CD-601-1.1
STEEL SQUARE POST SIGN SUPPORTS - SPLICE DETAIL	CD-612-4A.2	USE OF AN OIL / WATER SEPARATOR DURING DEWATERING	CD-158-4.1	UNDERDRAIN TYPE X	CD-601-1.2
STEEL U-POST SIGN SUPPORTS	CD-612-5	ROADWAY GRADING	CD-158-4.2	SUBBASE OUTLET DRAIN	CD-601-1.3
SPACER BAR, ANCHOR POST ASSEMBLY SIGN SUPPORTS	CD-612-5.1	TEMPORARY RUNOFF DIVERSION	CD-158-4.3	COMBINED STORM DRAIN AND OUTLET TRENCH IN ROCK AREAS	CD-601-1.4
TYPE 1 ANCHOR POST ASSEMBLY	CD-612-5.2	STREAM DIVERSION	CD-158-4.4		
STEEL U-POST SIGN SUPPORTS	CD-612-6.1				
BREAKAWAY SIGN SUPPORTS FOR GROUND MOUNTED SIGNS	CD-612-7.1				
BREAKAWAY SIGN SUPPORTS FOR GROUND MOUNTED SIGNS	CD-612-8.1				

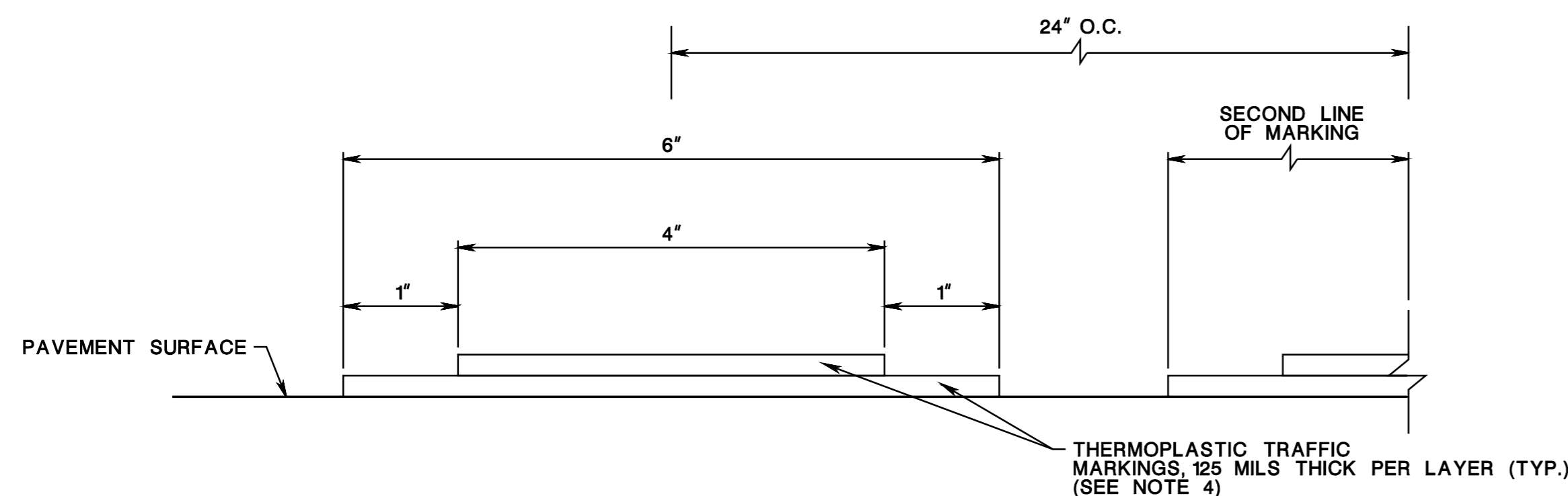
pen table= \\jldotprjwa\vasystem\jldotprjwa\projects\jldoteng\jldoteng\tbla\roadway\Detaila.tbl
 scale=30.027315:1.000000
 date=09-JAN-2025 08:01
 ID=000002659
 BDC22D-02 - NEW SHEET CD-612-4A
 BDC22D-01 - REVISED
 BDC21D-07 - NEW SHEETS CD-610-8 THRU 14
 BDC21D-06-REVISED CD-159-3, CD-159-4, CD-159-5
 BDC16D-01-ORIGINAL SHEET



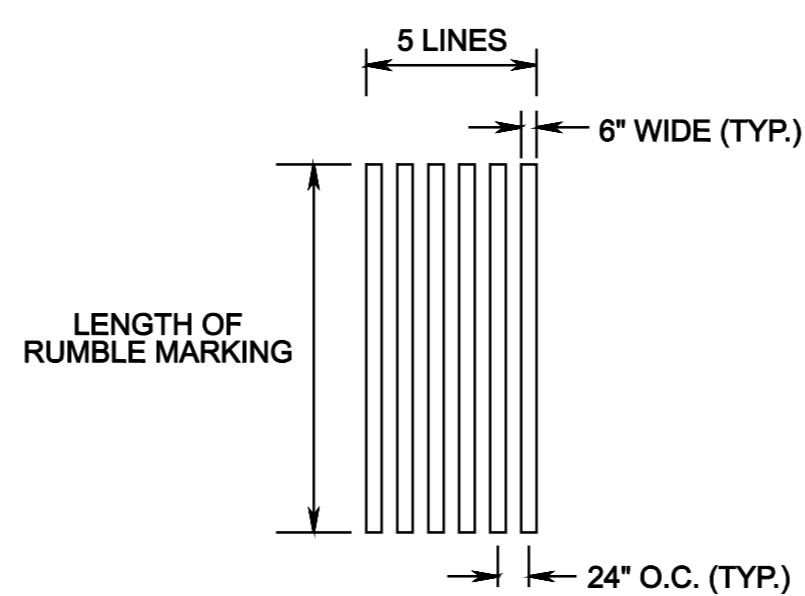
TYPICAL ONE DIRECTION TRAVEL LANE PLAN VIEW

TRANSVERSE RUMBLE MARKING SPACING

POSTED SPEED APPROACHING CONDITION OR ELEMENT, (MPH)	L1 DISTANCE BETWEEN SETS, (FT)	L2 DISTANCE BETWEEN FIRST SET AND MESSAGE IN ROADWAY, (FT)
25	75	20
30	85	25
35	95	30



**DETAIL 1
ONE LINE OF TRANSVERSE RUMBLE MARKING APPLICATION
SECTION A-A**



**DETAIL 2
SINGLE SET OF
TRANSVERSE RUMBLE MARKING**

NOTES:

- FOR THE RIGHT SIDE OF THE LANE, WHERE THERE IS NO DESIRABLE BIKE LANE OR SHOULDER, PROVIDE 4 FOOT DESIRABLE AND 3 FOOT MINIMUM CLEAR DISTANCE BETWEEN RUMBLE MARKINGS AND LANE LINE OR CURB.
- FOR THE LEFT SIDE OF THE LANE, KEEP A 6 INCH CLEARANCE FROM THE EDGE OF THE LANE LINE OR CURB LINE.
- STANDARD INSTALLATION CONSISTS OF THREE SETS OF MARKINGS. SEE PLANS FOR VARYING NUMBER OF SETS.
- ONE SET OF THERMOPLASTIC MARKING SHALL BE MEASURED IN SQUARE FEET. APPLICATION OF THE SECOND LAYER OF MARKING WILL BE PAID FOR AS AN ADDITIONAL SQUARE FOOTAGE (SEE NOTE 5).
- PAYMENT SHALL BE MADE PER EACH SET OF THERMOPLASTIC MARKINGS ((5 LINES X LENGTH OF RUMBLE MARKING X 6 INCH) X 2 LAYERS OF PAINT)) (SEE DETAIL 2).
- THE DEPARTMENT WILL MAKE PAYMENT FOR TRANSVERSE RUMBLE MARKINGS BY SQUARE FEET UNDER TRAFFIC MARKINGS SYMBOL.
- ON HOT MIX ASPHALT (HMA) SURFACE COURSES AND CONCRETE SURFACE COURSES, TRANSVERSE RUMBLE MARKINGS SHALL BE WHITE IN COLOR.

**TRANSVERSE
RUMBLE MARKINGS**

N.T.S.

CD-610-15

NEW JERSEY DEPARTMENT OF TRANSPORTATION

CONSTRUCTION DETAILS

CD-610-15.1

87H
165

pen table= \\njdotprfw\8system\njdoteng\plottbls\roadway\Details.tbl
 scale= 30.000000:1.000000
 date= 09-JAN-2025 10:06
 ID= 00802659
 NJDOT Design Services
 BDC24D-03-ORIGINAL SHEET